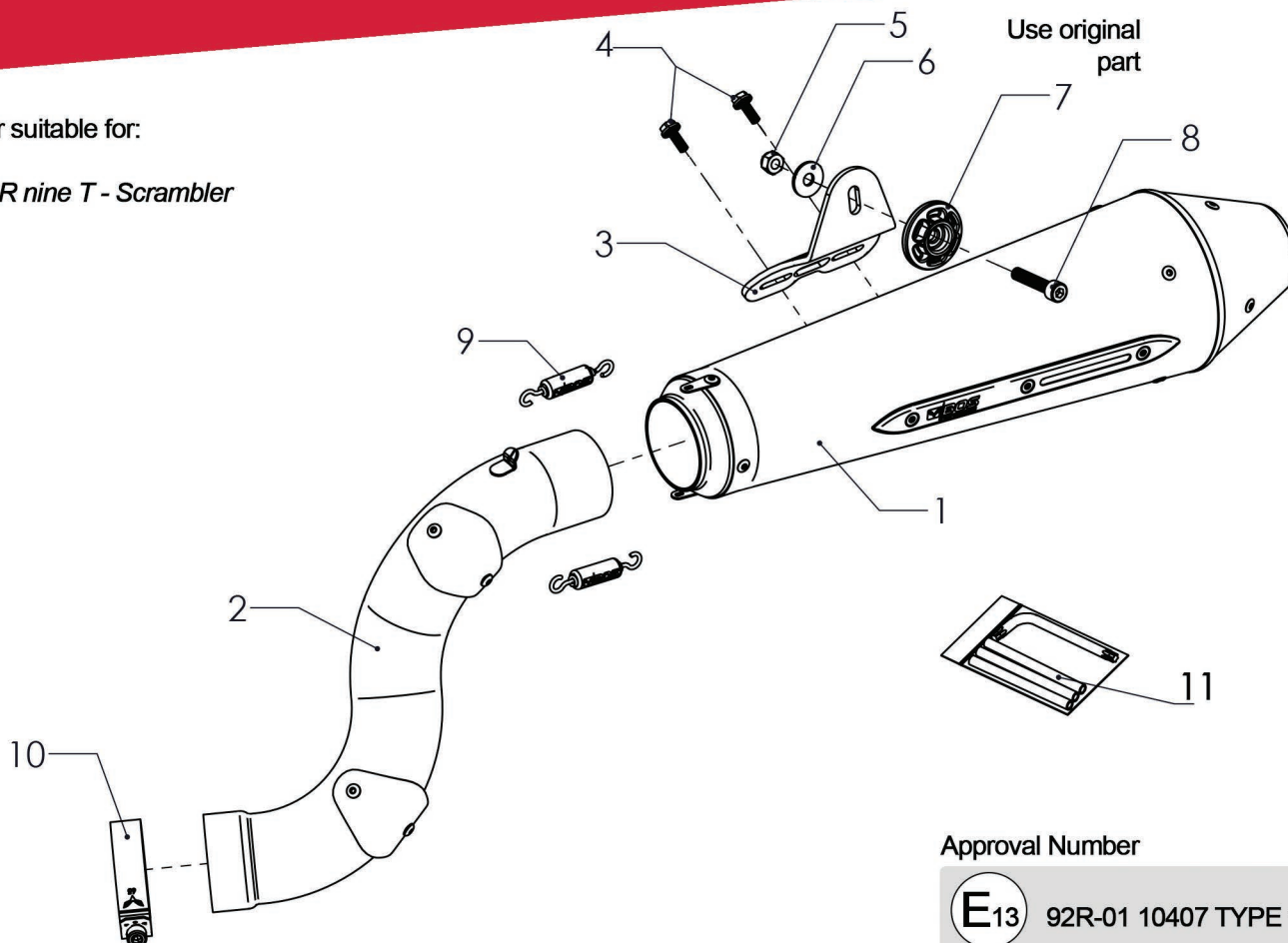


Muffler suitable for:

BMW R nine T - Scrambler



Approval Number



Pos	Qty	Part No.	Description	Ordernumber
1	1	900109	Muffler Taper Stainless Steel	BM09R10-TAST - Stainless Steel
		850046	Mounting Parts:	
2	1	750015	Link Pipe	
3	1	700051	Mounting Bracket	
4	2	14148	Bolt M6x12 flange Torx	
5	1	14055	Lock Nut M8	
6	1	14060	Washer M8 - D24	
7	1	<i>Original</i>	<i>Washer OEM</i>	
8	1	300053	Bolt M8x40 Torx	
9	2	14088	Pull Spring 36 mm.	
10	1	300013	Clamp 65	
11	1	800010	Fittingkit Colar bars	

Weight:

Stock: 4,2 kg

Bos: 3,3 kg

Noiselevel: @ 3875 rpm

Stock: Specified 90,0 dB(A)

Measured 88,0 dB(A)

Bos: Measured 89,0 dB(A)

Performance

Stock: 114,2 Hp / 7504 rpm

Bos: 116,7 Hp / 7503 rpm

Max. Hp incr.: + 5,6 Hp / 8210 rpm

Max Nm incr.: + 3,0 Nm / 6299 rpm

Tips

In order to avoid smudges and fingerprints burning into the surface it is imperative to clean the exhaust before starting the engine, burnt in stains are very difficult to remove.

After 300 miles or 500 kms. check all nuts and bolts and retighten if necessary.

Extra Parts: